

K L C E v a p o r a t o r

# DESTIMAT LE

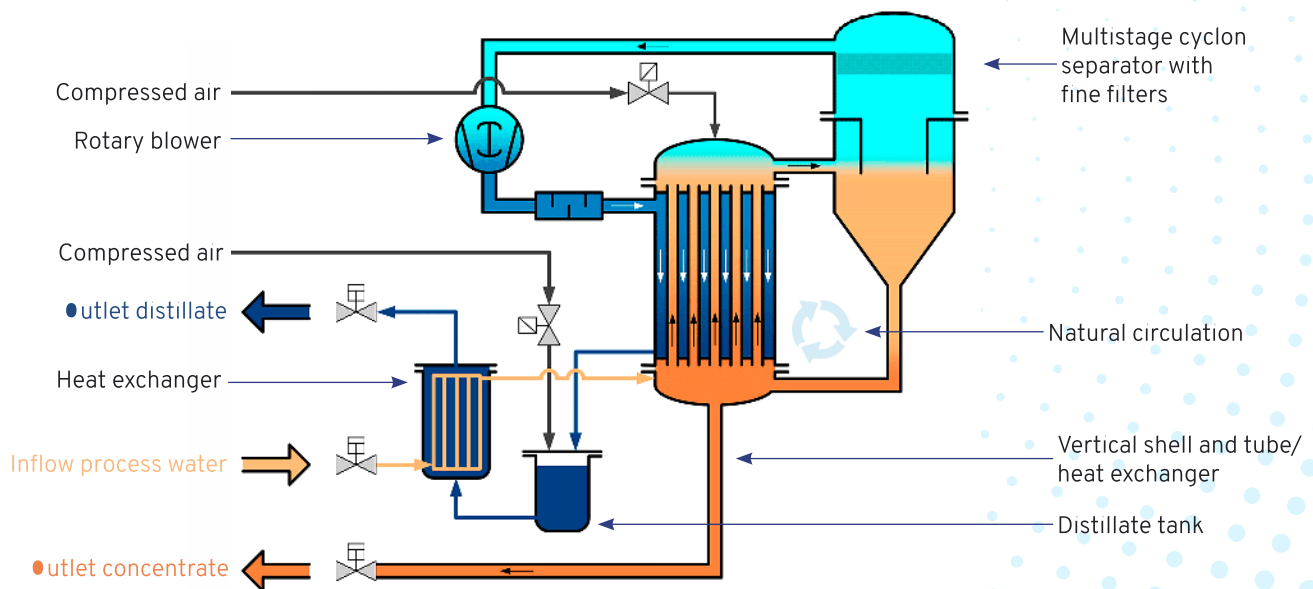
Vacuum distillation with natural circulation and vapor compression



## The efficient treatment of process water

The DESTIMAT LE is a robust and reliable KLC evaporator installed around the world in the last 25 years. It was designed for treatment of industrial process water using the natural circulation principle. Powerful and efficient treatment conceived for maximum heat recovery and high distillate quality. The years of experience have been incorporated in further developments to meet the requirements of a wide range of process water types, particularly emulsion/oil containing process waters between others. With additional configurations, even the most difficult process waters can be treated. By reusing the distillate, it is possible to achieve a closed circuit water management that conserves resources and meet the highest environmental standards. By its reliable operation and performance a Zero Liquid Discharge Production is possible.

## Functional principle



## Special features

- Very well suited for emulsion/oil containing process waters
- Well suited to treat a wide range of process waters
- Optimized for very low energy consumption due to maximum heat recovery
- Constant performance over a wide concentration range
- Compact design and optimum accessibility
- Fully automated effective cleaning system
- Available for high process water production
- Optional with "BestDest" technology for best quality of the distillate
- User friendly interface with internet connection, remote diagnosis and control

K L C Evaporator

# DESTIMAT LE

Vacuum distillation with natural circulation and vapor compression



## Technical data

Type of model	Capacity <sup>1</sup> [l/h]	Capacity per year <sup>2,4</sup> [m <sup>3</sup> ] (7000 h/a)	Installed power [kW]	Energy consumption <sup>3,4</sup> [kWh/m <sup>3</sup> ] starting from	Weight empty [kg]	Dimensions L x W x H [mm]
DESTIMAT LE 70	84	588	7,5	60	930	1900 x 1000 x 1800
DESTIMAT LE 90	108	756	7,5	60	930	1900 x 1000 x 1800
DESTIMAT LE 100	120	840	11	60	1400	2000 x 1200 x 2200
DESTIMAT LE 120	144	1008	11	60	1400	2000 x 1200 x 2200
DESTIMAT LE 150	180	1260	15	60	1400	2000 x 1200 x 2200
DESTIMAT LE 200	230	1610	22	55	1800	2450 x 1200 x 2670
DESTIMAT LE 250	285	1995	22	50	1800	2450 x 1200 x 2670
DESTIMAT LE 300	345	2415	30	50	3000	2900 x 1400 x 2900
DESTIMAT LE 400	460	3220	37	50	3000	2900 x 1400 x 2900
DESTIMAT LE 500	575	4025	45	40	4250	3700 x 1820 x 3400
DESTIMAT LE 700	805	5635	55	40	4250	3700 x 1820 x 3400
DESTIMAT LE 1000	1100	7700	90	35	6500	4850 x 1880 x 3400
DESTIMAT LE 1200	1320	9240	90	35	6500	4850 x 1880 x 3400
DESTIMAT LE 1400	1540	10780	90	35	6700	4850 x 1880 x 3400
DESTIMAT LE 2000	2200	15400	132	35	11000	5450 x 2330 x 4220
DESTIMAT LE 2200	2420	16940	132	35	11000	5450 x 2330 x 4220
DESTIMAT LE 3000	3300	23100	200	35	14000	5500 x 2432 x 4220
DESTIMAT LE 3500	3850	26950	200	35	14000	5500 x 2432 x 4220

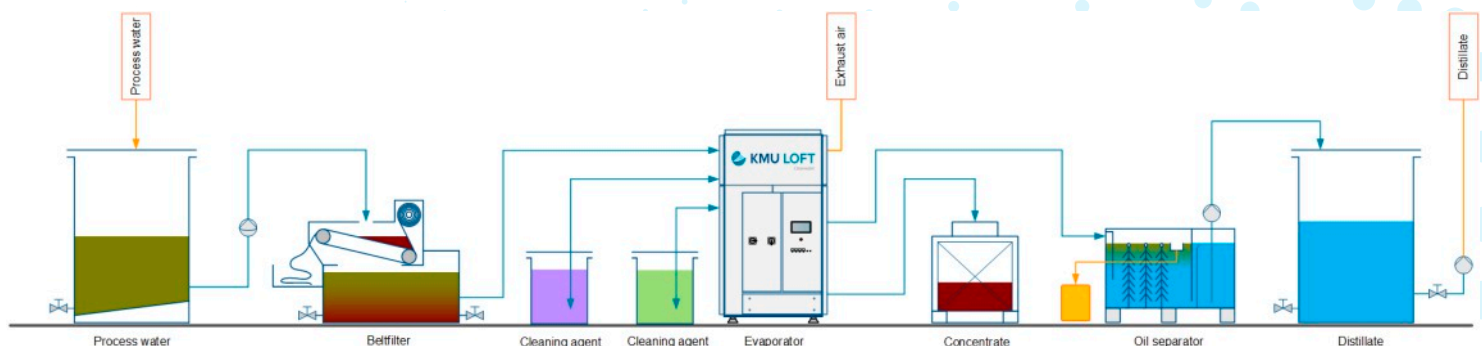
<sup>1</sup> City water hardness <10° dH, inlet temperature >15°C

<sup>2</sup> with 7000 operation hours per year with city water (6 days/ 50 weeks)

<sup>3</sup> Values refer to a machine at operating temperature

<sup>4</sup> Data for particular process waters are determined in customer specific calculations

## Example process flow diagram



K L C Evaporator

# DESTIMAT LE

Vacuum distillation with natural circulation and vapor compression



## Technical data - US-equivalents

Type of model	Capacity <sup>1</sup> [gpm]	Capacity per year <sup>2,4</sup> [gal] (7000 h/a)	Installed power [kW]	Energy consumption <sup>3,4</sup> [kWh/gal] starting from	Weight empty [lb]	Dimensions L x W x H [in]
DESTIMAT LE 70	0 37	155,333	7 5	0 23	2,050	74 80 x 39 37 x 70 87
DESTIMAT LE 90	0 48	199,714	7 5	0 23	2,050	74 80 x 39 37 x 70 87
DESTIMAT LE 100	0 53	221,904	11	0 23	3,086	78 74 x 47 24 x 86 61
DESTIMAT LE 120	0 63	266,285	11	0 23	3,086	78 74 x 47 24 x 86 61
DESTIMAT LE 150	0 79	332,857	15	0 23	3,086	78 74 x 47 24 x 86 61
DESTIMAT LE 200	1 01	425,317	22	0 21	3,968	96 46 x 47 24 x 105 12
DESTIMAT LE 250	1 25	527,023	22	0 19	3,968	96 46 x 47 24 x 105 12
DESTIMAT LE 300	1 52	637,975	30	0 19	6,614	114 17 x 55 12 x 114 17
DESTIMAT LE 400	2 03	850,634	37	0 19	6,614	114 17 x 55 12 x 114 17
DESTIMAT LE 500	2 53	1,063,292	45	0 15	9,370	145 67 x 71 65 x 133 86
DESTIMAT LE 700	3 54	1,488,609	55	0 15	9,370	145 67 x 71 65 x 133 86
DESTIMAT LE 1000	4 84	2,034,124	90	0 13	14,330	190 94 x 74 02 x 133 86
DESTIMAT LE 1200	5 81	2,440,949	90	0 13	14,330	190 94 x 74 02 x 133 86
DESTIMAT LE 1400	6 78	2,847,774	90	0 13	14,771	190 94 x 74 02 x 133 86
DESTIMAT LE 2000	9 69	4,068,249	132	0 13	24,251	214 57 x 91 73 x 166 14
DESTIMAT LE 2200	10 65	4,475,074	132	0 13	24,251	214 57 x 91 73 x 166 14
DESTIMAT LE 3000	14 53	6,102,373	200	0 13	30,865	216 54 x 95 75 x 166 14
DESTIMAT LE 3500	16 95	7,119,435	200	0 13	30,865	216 54 x 95 75 x 166 14

<sup>1</sup> City water hardness <10° dH, inlet temperature >59°F

<sup>2</sup> with 7000 operation hours per year with city water (6 days/ 50 weeks)

<sup>3</sup> Values refer to a machine at operating temperature

<sup>4</sup> Data for particular process waters are determined in customer specific calculations

### Especially suitable for the following process waters

- Active baths and rinse water from surface technology
- Cooling lubricants, emulsions
- Washing and cleaning process water
- Rinse water from crack detection systems
- Process water with release agents
- Penetrants



**Authorized distributor in Poland:**

Industrial Solutions Group Sp. z o.o.  
Lipnicka 25, Szczepanów  
55- 300 Środa Śląska  
Tel: +48 71 396 87 08  
E: [biuro@is-group.pl](mailto:biuro@is-group.pl)  
[www.is-group.pl](http://www.is-group.pl)

More information about  
KLC DESTIMAT LE

Tel +49 7121 9683-0  
Mail [info@kmu-loft.com](mailto:info@kmu-loft.com)  
Web [www.kmu-loft.com](http://www.kmu-loft.com)

